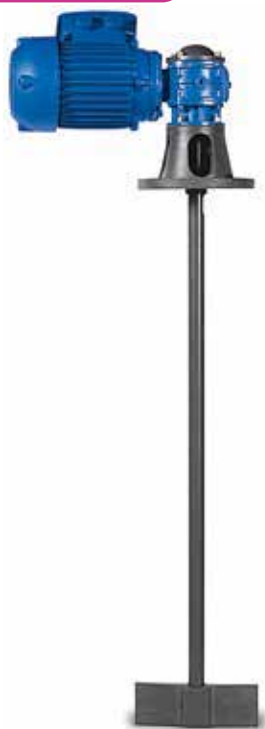


AG-S



DESCRIZIONE/DESCRIPTION

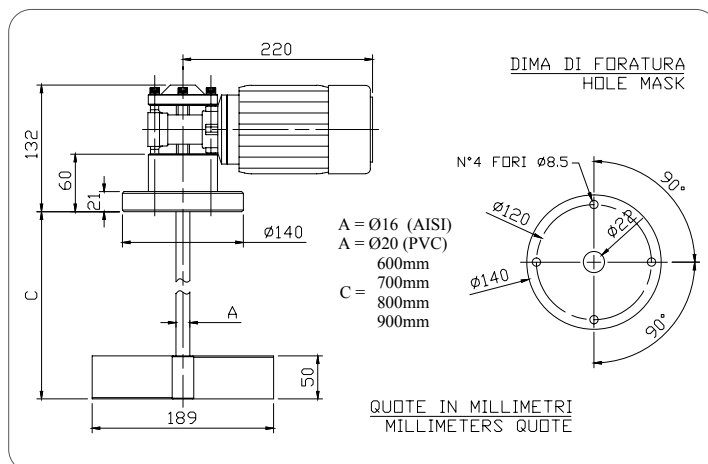
Agitatori lenti.
 • Lenti mono fase AG1-PVC /AG1-AISI 70 rpm - Motore 230V 50Hz 0.12HP;
 • Lenti trifase AG3-PVC /AG3-AISI 70 rpm - Motore 230/380 V 50Hz 0.12HP.

Slow water mixers.

• Slow single-phase AG1-PVC /AG1-AISI 70 rpm - Motor 230V 50Hz 0.12HP;
 • Slow speed three-phase - AG3-PVC/AG3-AISI - 70 rpm - Motor 230/380v - 50 Htz - 0.12HP.



DIMENSIONI/DIMENSIONS



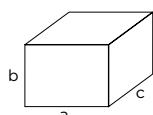
Lenti MONOFASE/Slow SINGLE-PHASE

Codice Code	Modello Model	Dimensioni Size	Serbatoio	Materiale Material	Motore Motor	Velocità	Price (€)
			Tank lt			Speed rpm	
ADAG1P06S	AG1-PVC60/S	A-TANK 1	100	PVC	MONOFASE SINGLE-PHASE	70	
ADAG1P07S	AG1-PVC70/S	A-TANK 2-3	200-300	PVC	MONOFASE SINGLE-PHASE	70	
ADAG1P08S	AG1-PVC80/S	A-TANK 5	500	PVC	MONOFASE SINGLE-PHASE	70	
ADAG1P09S	AG1-PVC90/S	A-TANK 10	1000	PVC	MONOFASE SINGLE-PHASE	70	
ADAG1A06S	AG1-AISI60/S	A-TANK 1	100	AISI	MONOFASE SINGLE-PHASE	70	
ADAG1A07S	AG1-AISI70/S	A-TANK 2-3	200-300	AISI	MONOFASE SINGLE-PHASE	70	
ADAG1A08S	AG1-AISI80/S	A-TANK 5	500	AISI	MONOFASE SINGLE-PHASE	70	
ADAG1A09S	AG1-AISI90/S	A-TANK 10	1000	AISI	MONOFASE SINGLE-PHASE	70	

Lenti TRIFASE/Slow THREE-PHASE

Codice Code	Modello Model	Dimensioni Size	Serbatoio	Materiale Material	Motore Motor	Velocità	Price (€)
			Tank lt			Speed rpm	
ADAG3P06S	AG3-PVC60/S	A-TANK 1	100	PVC	TRIFASE THREE-PHASE	70	
ADAG3P07S	AG3-PVC70/S	A-TANK 2-3	200-300	PVC	TRIFASE THREE-PHASE	70	
ADAG3P08S	AG3-PVC80/S	A-TANK 5	500	PVC	TRIFASE THREE-PHASE	70	
ADAG3P09S	AG3-PVC90/S	A-TANK 10	1000	PVC	TRIFASE THREE-PHASE	70	
ADAG3A06S	AG3-AISI60/S	A-TANK 1	100	AISI	TRIFASE THREE-PHASE	70	
ADAG3A07S	AG3-AISI70/S	A-TANK 2-3	200-300	AISI	TRIFASE THREE-PHASE	70	
ADAG3A08S	AG3-AISI80/S	A-TANK 5	500	AISI	TRIFASE THREE-PHASE	70	
ADAG3A09S	AG3-AISI90/S	A-TANK 10	1000	AISI	TRIFASE THREE-PHASE	70	

IMBALLO/PACK



Confezione singola/Single pack:
 - L60: axbxc: 220x885x220 mm - Kg: 6,00;
 - L70/80/90: axbxc: 210x1230x210 mm - Kg: 7,00;