

AG-F



DESCRIZIONE/DESCRIPTION

Agitatori veloci.

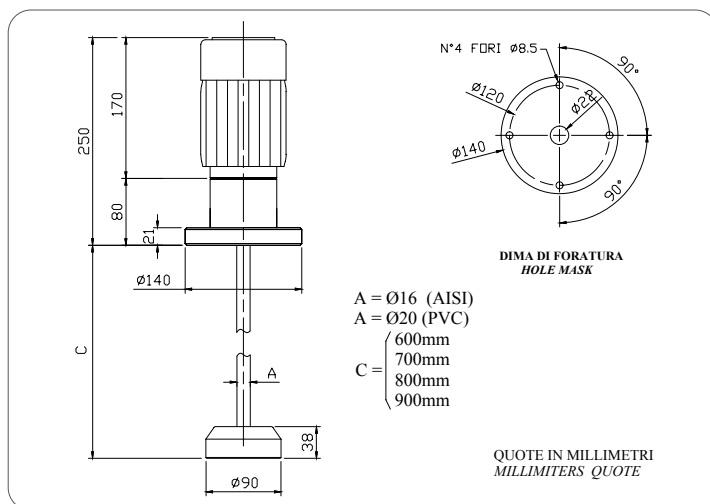
- Veloci mono fase AG1-PVC/AG1-AISI 1400 rpm - Motore 230V 50Hz 0.12HP;
- Veloci trifase AG3-PVC/AG3-AISI 1400 rpm - Motore 230/380 V 50Hz 0.12HP.

Fast water mixers.

- Fast speed three-phase AG3-PVC/AG3-AISI 1400 rpm - Motor 230/380 V - 50 Htz - 0.12HP;
- Fast speed three-phase AG3-PVC/AG3-AISI 1400 rpm - Motor 230/380 V - 50 Htz - 0.12HP.



DIMENSIONI/DIMENSIONS



Veloci MONOFASE/Speed SINGLE-PHASE

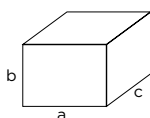
Codice Code	Modello Model	Dimensioni Size	Serbatoio Tank	Materiale Material	Motore Motor	Velocità Speed	Price (€)
			lt			rpm	
ADAG1P06F	AG1-PVC60/F	A-TANK 1	100	PVC	MONOFASE SINGLE-PHASE	1400	
ADAG1P07F	AG1-PVC70/F	A-TANK 2-3	200-300	PVC	MONOFASE SINGLE-PHASE	1400	
ADAG1P08F	AG1-PVC80/F	A-TANK 5	500	PVC	MONOFASE SINGLE-PHASE	1400	
ADAG1P09F	AG1-PVC90/F	A-TANK 10	1000	PVC	MONOFASE SINGLE-PHASE	1400	
ADAG1A06F	AG1-AISI60/F	A-TANK 1	100	AISI	MONOFASE SINGLE-PHASE	1400	
ADAG1A07F	AG1-AISI70/F	A-TANK 2-3	200-300	AISI	MONOFASE SINGLE-PHASE	1400	
ADAG1A08F	AG1-AISI80/F	A-TANK 5	500	AISI	MONOFASE SINGLE-PHASE	1400	
ADAG1A09F	AG1-AISI90/F	A-TANK 10	1000	AISI	MONOFASE SINGLE-PHASE	1400	

Veloci TRIFASE/Speed THREE-PHASE

Codice Code	Modello Model	Dimensioni Size	Serbatoio Tank	Materiale Material	Motore Motor	Velocità Speed	Price (€)
			lt			rpm	
ADAG3P06F	AG3-PVC60/F	A-TANK 1	100	PVC	TRIFASE THREE-PHASE	1400	
ADAG3P07F	AG3-PVC70/F	A-TANK 2-3	200-300	PVC	TRIFASE THREE-PHASE	1400	
ADAG3P08F	AG3-PVC80/F	A-TANK 5	500	PVC	TRIFASE THREE-PHASE	1400	
ADAG3P09F	AG3-PVC90/F	A-TANK 10	1000	PVC	TRIFASE THREE-PHASE	1400	
ADAG3A06F	AG3-AISI60/F	A-TANK 1	100	AISI	TRIFASE THREE-PHASE	1400	
ADAG3A07F	AG3-AISI70/F	A-TANK 2-3	200-300	AISI	TRIFASE THREE-PHASE	1400	
ADAG3A08F	AG3-AISI80/F	A-TANK 5	500	AISI	TRIFASE THREE-PHASE	1400	
ADAG3A09F	AG3-AISI90/F	A-TANK 10	1000	AISI	TRIFASE THREE-PHASE	1400	



IMBALLO/PACK



Confezione singola/Single pack:

- L60: axbxc: 220x885x220 mm - Kg: 6,00;
- L70/80/90: axbxc: 210x1230x210 mm - Kg: 7,00;