

# USER, MAINTENANCE, ASSEMBLY AND INSTALLATION MANUAL

## AQUA KID / AQUA KID ECO CARTRIDGE FILTERS

Drinking water treatment equipment

The **AQUA KID** and **AQUA KID ECO** are cartridge filters for drinking water, suitable for domestic use, to carry out a turbidity filtration treatment.

### AQUA KID P2



### AQUA KID P3



AQUA KID filters can contain cartridges of various kinds, depending on the type of treatment to be carried out on the incoming drinking water.

In particular, AQUA spa makes available for these filters:

- Wire wound cartridges (Mod. FA KID)
- Melt Blown polypropylene cartridges (Mod. FR-N KID)
- Washable mesh cartridges (Mod. RLA KID)

## DECLARATION OF CONFORMITY OF THE EQUIPMENT

(art. 3 paragraph 2 DM 07/02/2012 n.25)

The undersigned manufacturer:

Society:	<b>AQUA S.p.A.</b>
Address:	<b>Via Tonino Crotti, 1 - 42018 - San Martino in Rio (RE) - ITALIA</b>

With reference to art. 3 paragraph 2 of Ministerial Decree no. 25 of 7 February 2012 declares the following regarding the following families of equipment:

FAMILY	MODEL
<b>AQUA KID 2P FILTERS</b> <b>AQUA KID ECO 2P FILTERS</b>	<u>MEASURES</u> : 5"
<b>AQUA KID 3P FILTERS</b> <b>AQUA KID ECO 3P FILTERS</b>	<u>MEASURES</u> : 5" - 9"3/4
<b>AQUA KID CARTRIDGES</b>	<u>MODELS</u> : FA KID; FR-N KID; RLA KID

- Pursuant to Decree No. 174 of 06 April 2004 "Regulation concerning materials and objects that can be used in fixed systems for the collection, treatment, adduction and distribution of water intended for human consumption."

- 1) To have performed and passed the global and / or specific migration tests required by the standard;
- 2) To use only raw materials with monomers included in the positive list referred to in Annex IIIa and IIIb.
- 3) To keep the test reports of the tests carried out at the company headquarters.

- In accordance with safety regulations, specific applicable regulations and specific purposes applicable to the equipment in question:

- 1) To periodically carry out checks and tests for tightness and resistance;
- 2) To periodically verify the maintenance of the regulatory and safety compliance conditions on the products in question.

San Martino in Rio (RE) li 18/january/2021

  
Davide Vezzani  
Certification manager

## TECHNICAL DATA

These filters are suitable for containing various types of filter cartridges, in order to obtain the desired treatment on the drinking water entering the network.

The filters are available with transparent sumps, in different heights, with different pipe connection sizes, with brass inserts and in two (FP2) or three (FP3) pieces.

### AQUA KID 2P

Modello	Altezza	Ingresso/ Uscita (c=d)
Model	Height	Inlet/ Outlet (c=d)
Kid V/T	5"	1/2" F
Kid/Eco V/T		
Kid V/T		

Testa <i>Head</i>	PP caricato con inserti in ottone <i>PP with brass inserts</i>
Vaso <i>Sump</i>	SAN trasparente <i>Transparent SAN</i>
Ghiera <i>Ring Nut</i>	PP
O-Ring <i>O-Ring</i>	NBR 70 Sh
Temperatura di esercizio <i>Working temperature</i>	5°C + 50°C min./max
Portata a vuoto 2 BAR <i>Capacity (empty) at 2 BAR</i>	1/2" 114 Lt./min. - 3/4" 110 Lt./min.

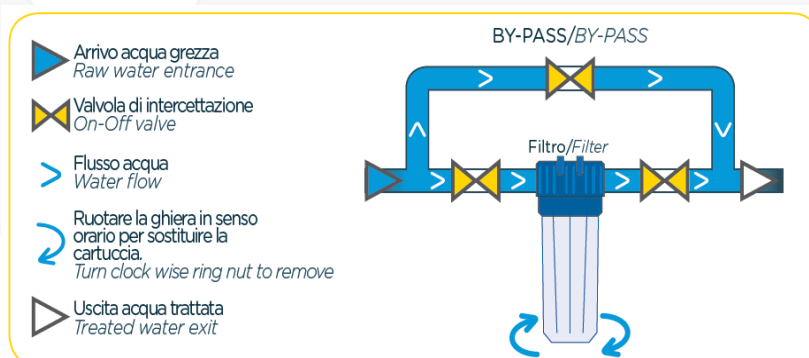
### AQUA KID 3P

Modello	Altezza	Ingresso/ Uscita (c)
Model	Height	Inlet/ Outlet (c)
Kid V/T 3P	5"	1/2" F
		3/4" F
Kid V/T 3P	9" 3/4	1/2" F
		3/4" F
Kid Eco V/T 3P	5"	1/2" F
Kid Eco V/T 3P	9" 3/4	1/2" F

#### MAX WORKING PRESSURE

TIPO	BAR
AQUA KID	10
AQUA KID ECO	10

Their typical installation scheme is as follows:



## GENERAL WARNINGS

- This filter is an equipment for the treatment of drinking water made in compliance with the DM. 25/12 and DM. 174/04, the user must use it in full compliance with this manual in order to avoid potential risks to health or safety;

- This filter is suitable for the filtration and treatment of drinking water as defined by the competent authorities of the place of installation and, in any case, for liquids for food use, with PH close to neutral;

- Do not use in presence of water with unknown origin or microbiologically not pure, without providing for the use of an adequate disinfection system;
- Use the filters in compliance with the operating pressures declared by the manufacturer. With presence of high pressures in the circuit or "water hammer", protect the device by installing a pressure reducer upstream;
- Except for special filters, use the filters with liquids at room temperature (20-25°C), however within the limits indicated by the manufacturer. If used upstream of a boiler, it is recommended to install a non-return valve to prevent boiling water from entering the filter;
- Do not use the containers for the filtration of compressed air, oil or gas, even at low pressures.
- Do not use these filters in environments exposed to freezing temperatures or high temperatures. Therefore, installation outdoors or in places exposed to bad weather or ultraviolet rays is not recommended;
- This equipment requires regular periodic maintenance in order to ensure the maintenance of the drinking water requirements of the treated water.

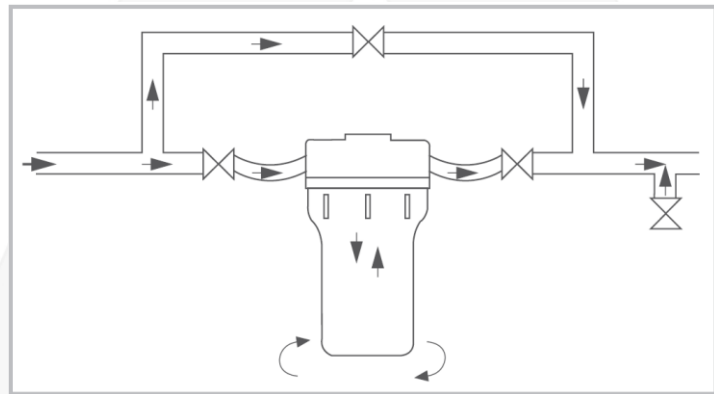
## INSTALLATION

The installation of the filter must be performed by qualified personnel capable of issuing a regular declaration of conformity.

The typical filter assembly scheme is the one shown in the image alongside.

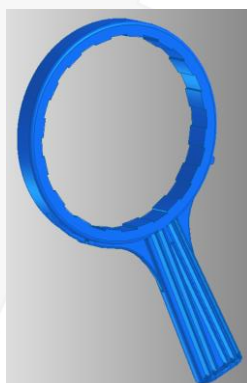
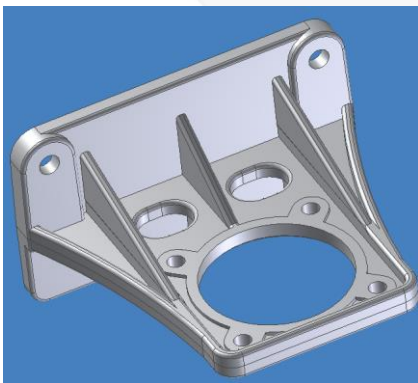
It is advisable to create a bypass to ensure maintenance of the filter cartridge without eliminating the supply of water to the users.

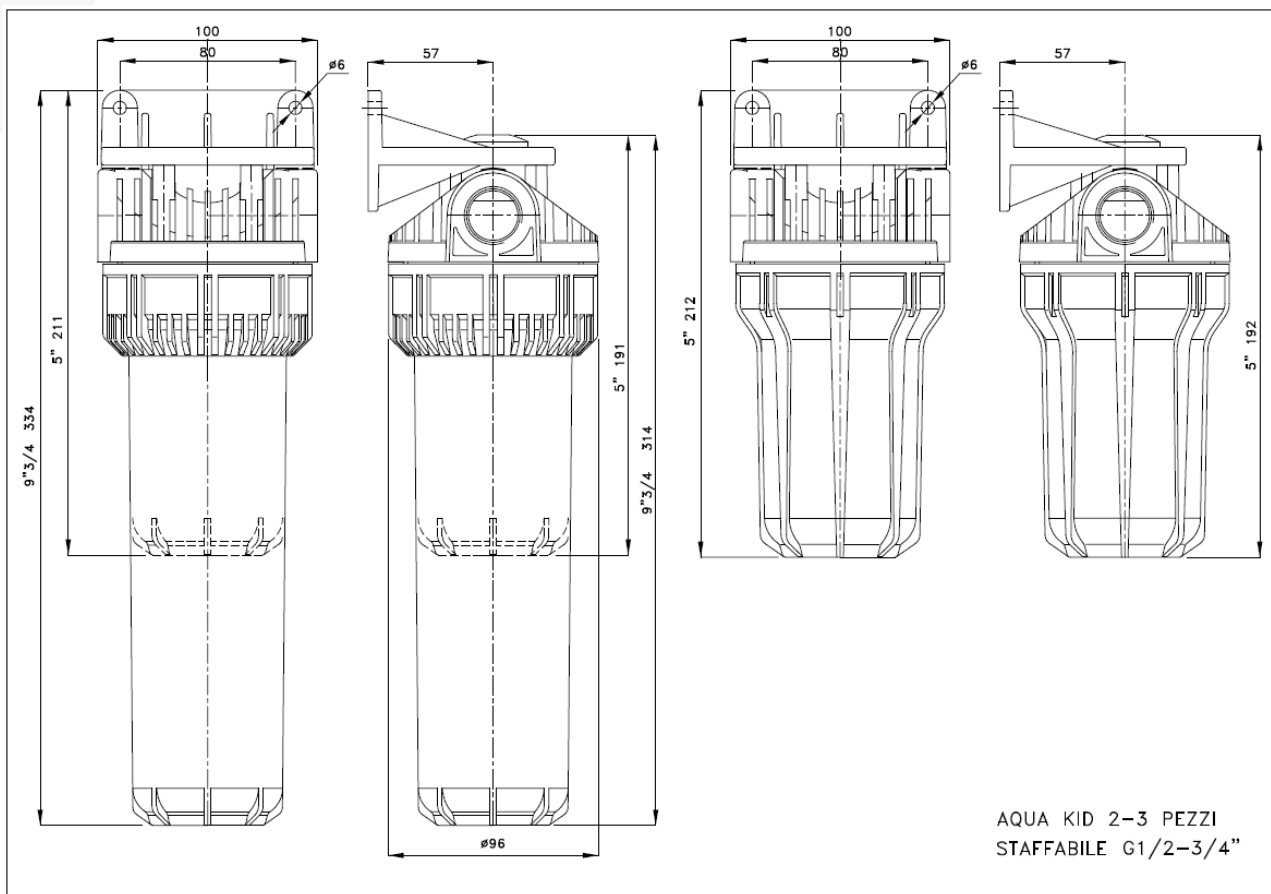
During the assembly phase it is important to respect the inlet / outlet direction (IN-OUT) indicated on the filter head.



**IMPORTANT: The AQUA KID filter head is equipped with a double inlet: one horizontal and one vertical. Use the one that best suits the circuit and remember to put the appropriate cap in the unused inlet.**

To install the filter on the wall, use the appropriate wall bracket (optional), which allows for correct fixing and proper spacing from the wall, necessary to ensure the opening of the filter with the use of the appropriate key.

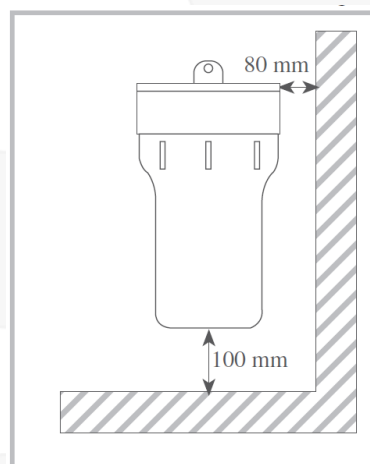




It is also important not to fix the filter too close to the floor, otherwise it becomes impossible or difficult to remove the cartridge when carrying out the necessary maintenance.

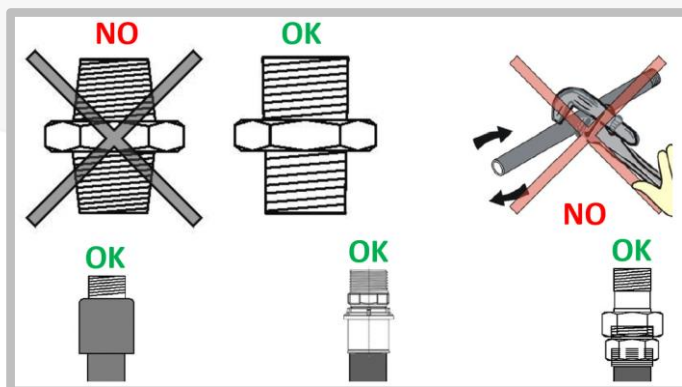
The minimum recommended distance from the wall is 80 mm. The minimum distance from the floor is 25 mm. The recommended distance is instead of 100 mm (or more).

Depending on the size of the filter purchased, it is possible to determine the fixing point of the bracket using the following table, where the dimensions of the filter can also be deduced:



To connect the filters to the pipes, use flexible fittings to avoid possible tensions caused by the pipes.

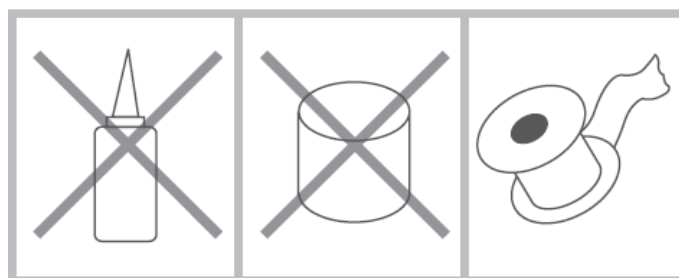
It is, in fact, preferable not to connect the threaded pipes directly to the device. Pipes can be used for welding, pressure or with union.



Use fittings with cylindrical thread with GAS or BSP pitch. Do not use fittings with tapered threads.

When fixing the fittings to the head, avoid using sealing pastes, hardening liquids, silicone, hemp or other, but only Teflon tape.

After fixing, open the taps and check that there are no leaks or drips.



Teflon

## STARTING AND OPERATION OF THE FILTER

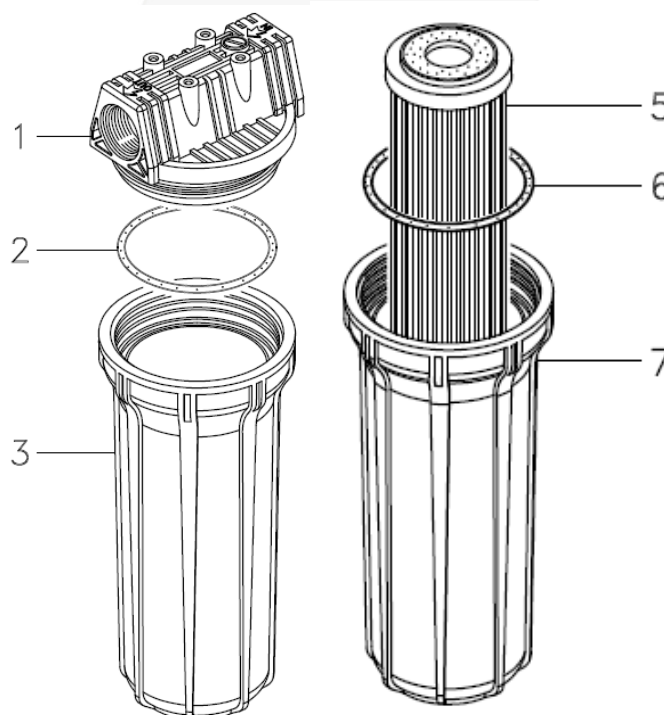
After fixing and connecting the filter to the water mains, you can start using it.

The first operation is to insert the cartridge inside the filter.

After closing the water, open the filter using the special key and insert the filter cartridge necessary for the chosen treatment inside it.

**CAUTION:** Remove the film or package that wraps the cartridge. If the cartridge has gaskets, make sure they are correctly positioned before closing the sump.

After placing the cartridge in the sump, put the O-Ring in its seat and screw the sump clockwise onto the head.



It is recommended to tighten tightly, but by hand (without using the key). If, once put into operation, drips occur, tighten further with the aid of the key.

Re-open the water, check that there are no drips and vent the vessel by slightly opening the vent screw on the head (or by pressing the appropriate button if present).

Let the water flow from a tap for a few minutes, in order to evacuate all the air and remove any dust or dirt present in the filter, even after its assembly.

After these operations the filter is running regularly.

These operations must be repeated every time the filter cartridge is replaced or serviced.

## CLEANING AND MAINTENANCE

**ATTENTION:** This equipment requires regular periodic maintenance in order to ensure the potability requirements of the treated drinking water and the maintenance of improvements as declared by the manufacturer.

In particular, periodic cleaning and maintenance operations are required, especially the filter cartridge.

The filter must be cleaned only with a sponge and running water, every time the filter cartridge is replaced or cleaned. Do not use detergents, solvents, alcohol, detergents or anything else that can affect the structure of the plastic material and / or affect the potability of the treated water.

Replace the container sump in the event of a collision or if it falls to the ground. The sump (especially the transparent one) is in fact made of fragile material, which tends to crack or chip in the event of a collision. These micro-cracks can lead to the sudden rupture of the vessel once put under pressure or once subject to water hammer.

When reassembling the sump, check that the O-Ring is not deteriorated (or pinched) and that it is positioned correctly in its seat.

If the water is not used for several weeks, it is advisable to remove the cartridge from the container. Before reinstalling the filter cartridge, wash it thoroughly and sterilize it, or fit a new cartridge.

At the end of all maintenance operations, it is advisable to let the water run for a few minutes before using it.

To carry out maintenance, follow the steps below:

- Divert the passage of water from the filter, by acting on the by-pass (if present) or by closing the water taps;
- Act on the screw or on the vent button, in order to reduce the internal pressure of the filter;
- Place a low container on the floor to collect the water that will drip from the filter when it is opened, or some rags to collect the water;
- Disassemble the sump using the special plastic key. Be careful not to drop the sump. It is sensitive to shocks;
- Be careful not to lose the O-Ring and check that it is not damaged. Otherwise, recover a new O-Ring;
- Remove the cartridge and eliminate any dirt present in the vessel, inside the head or on the O-Ring.
- Place a new cartridge or the removed cartridge (if washable) in the sump after cleaning it, taking care to position the gaskets correctly, if present;
- Screw the sump onto the head (by hand);
- Reactivate the water network by keeping the vent valve open until all the air present in the network has escaped, after which close the vent valve.
- If the filter shows dripping tighten the sump with the key;
- Regardless of the type of cartridge used, at the end of each cleaning or maintenance operation, let the water run for a few minutes before using it.

The frequency of intervention is linked to the type of cartridges used:

CARTRIDGES FOR SEDIMENTS: (wire wound, Melt Blown, RLA, etc.):

Replace or wash the sediment cartridges within 2-5 months, or if necessary, if a significant pressure drop is detected. Washable cartridges (RLA) can be used multiple times.

They must be washed and disinfected periodically, as specified below.

- 1). Wash thoroughly under running water.
- 2). Immerse the cartridge in disinfectant that does not alter / corrode the structure of the cartridge itself, for 5 (five) minutes.
- 3). Remove the cartridge from the disinfectant liquid and rinse thoroughly.

The polypropylene cartridges (Melt Blown) must be thoroughly washed before installation, to eliminate the residues of the antistatic compound used for processing of the fibers.

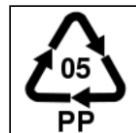
#### SALT POLYPHOSPHATE:

Replace the polyphosphate salt cartridges within 4-6 months or, in any case, when the polyphosphate salt is exhausted.

In case of replacement of cartridges or of the entire filter, follow the correct disposal rules provided by the state or region in which the product is installed.

In general, these rules prescribe:

- CARTRIDGES: disposal as unsorted waste as it is dirty or soiled material;
- FILTERS AND VASES: recycling with plastic products as they are made of polypropylene. However, any metal parts must first be removed.



#### **WARRANTY**

The product is guaranteed in accordance with the provisions of the AQUA SPA “General Conditions of Sale” document.

The details of the guarantee provide that:

- The item is used according to the instructions given by the manufacturer;
- Installation and maintenance are carried out following the manufacturer's instructions;
- The replacement under warranty is made only against the return of defective material, and after verifying the nature of the defect;
- The warranty is intended limited to the replacement of the part recognized as defective, and excludes any other right by the Purchaser to compensation for direct or indirect damage caused from the product itself.
- The buyer agrees to pay all labor and transport costs necessary to replace the product covered by the warranty.
- Failure to comply with the general rules indicated, as well as the neglect of the rules in force in Europe, will void any warranty on AQUA products.



INDUSTRIAL GROUP

L0200684 - REV0