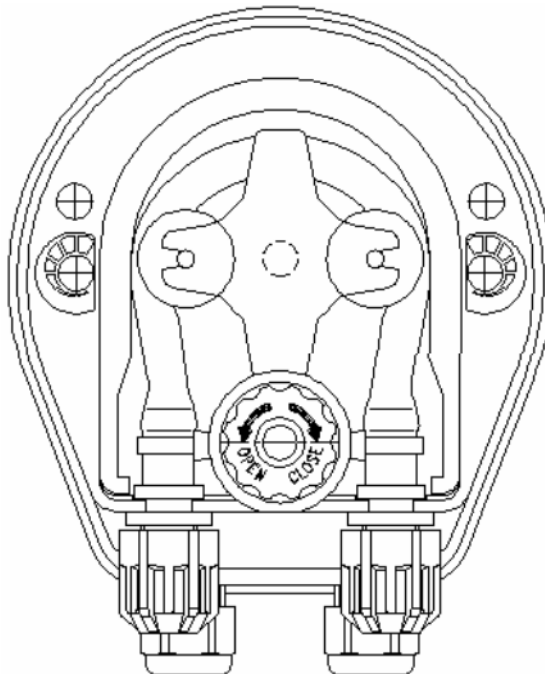
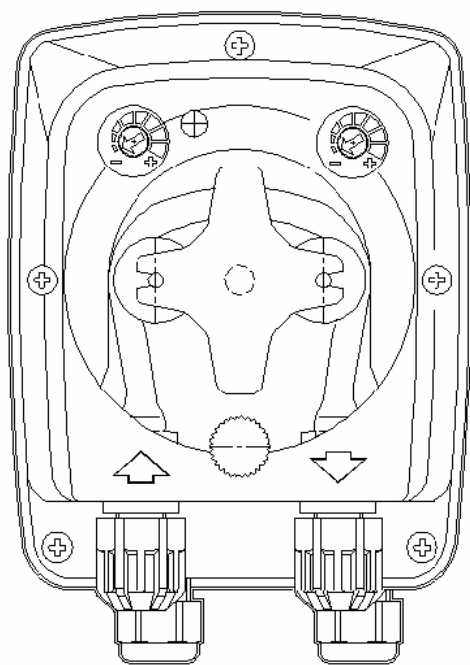




INDUSTRIAL GROUP

OPERATING INSTRUCTIONS PERISTALTIC PUMP

TEC 1T
TEC-2TT
PER 1T
PER-2TT





FILTRATION - DOSING - DETERGENT & HYGIENE - POOL EQUIPMENT



DECLARATION OF CONFORMITY

Company:	AQUA S.p.A.
Address:	Via T. Crotti, 1 - 42018 - San Martino in Rio (RE)

Hereby declares that the products named:

- **TEC**

Responds to the principal features of the following European Directives:

- **2014/30/CE of 26/02/2014** - *Harmonization of the laws of the Member States relating to electromagnetic compatibility – EMC Directive*
- **2014/35/CE of 26/02/2014** - *Harmonization of the laws of the Member States relating to the making available on the market of electrical equipment designed for use within certain voltage limits – Low Voltage Directive*
- **2011/65/UE of 08/06/2011 with subsequent update 2015/863 of 31/03/2015** - *ROHS III Directives*
- **2012/19/UE of 04/07/2012** - *WEEE Directives for electrical and electronic waste*

This declaration is issued under the responsibility of Aqua S.p.A.

San Martino in Rio (RE) - 08 settembre 2020

Daide Vezzani
Certification Manager - Aqua S.p.A.



FUNCTIONING PRINCIPLE

The functioning principle of the peristaltic pump is based on the pressure and release of the hose by the roller holder. This is moved by the motor. The double action of pressure and release of the hose generates a suction force along the hose that sucks the chemical and pushes it to the output. The flow depends on the speed of rotation of the motor and on the diameter of the hose.

TECHNICAL CHARACTERISTICS (FIG.1)

1T/2TT pump is equipped with 1/2 power supply cables for temporized dosing, the pump is Multivoltage 24-230 VAC 50/60Hz (see fig.1)

Load Timer (ONLY FOR 2TT): Trimmer (B) – Power supply cable (E)

Dosing time can be set from 1 to 240 seconds with the trimmer (B)

Top-up Timer: Trimmer (H) – Power supply cable (F)

Dosing time can be set from 1 to 30 seconds with the trimmer (H)

Unscrewing the central knob in the front panel of the pump it is possible to open the transparent cover and access to the hoses of the pump head. The pump does not dose without the transparent cover even if the roller holder is rotating.

The pump is built into a polypropylene box, easy to install

The pump is equipped with 1 Led (A), just up the time-control trimmer (B) (H) (see fig.1)

The led shows the following states of functioning: RED LIGHT: power from load cable, GREEN LIGHT: power from Top-up cable

- ◆ **Flashing Led:** the pump is powered and it is dosing according to timer setting
- ◆ **Fixed Led:** the pump is powered and it has complete its dosing time
- ◆ **Fast Flashing Led (Both):** the pump is stopped, Alarm condition (check the power supply)

DESIGN STANDARD

Our pumps are built according to the actual general directives endowed with CE mark in conformity with the following European directives:

- n° **2004/108/CE** “ e s.m.i.
- n° **2006/95/CE** “DBT Low Voltage Directive” e s.m.i.
- n° **2011/65/UE** , **2012/19/UE** “direttive RoHs e WEEE” e s.m.i.

INSTALLATION (FIG.2 and FIG.3)

Connect the 4x6 hose (internal diameter 4 mm, external 6 mm) to the suction nipple (1) and foot filter.

Connect the 4x6 hose (internal diameter 4 mm, external 6 mm) to the delivery nipple (2) and injection valve.

Tighten nuts (3 and 4)

ATTENTION

Try to keep both the suction and discharge hose as straight as possible, avoiding all unnecessary bends. Install the pump away from sources of heat and in a dry place at a maximum environment temperature of 40°C.

The minimum operating temperature depends on the liquid dosed that has to remain in a liquid state.

WALL MOUNTING (FIG.4)

For fixing the pump to the wall use the screws and the label supplied with the pump. Stick the label to the wall and make the holes in the 2 points of the label that correspond to the F points of the bracket like in FIG.3. Block the bracket to the wall and then the pump to it. **Bracket for wall mounting (FIG.4)**

PUMP FUNCTIONING

Dishwasher machine with 1 solenoid valve

Connect only the top-up cable (F) to the solenoid valve of initial charge/rinse.

The pump works for the first 30 seconds at the top-up time settings by the trimmer (B) and then if the signal is still active the pump will work at the load dosing time.

i *In the model TEC-2TT the initial fill dosing time is equal to the difference between the time set by the trimmer (B) and that set by the trimmer (H).*

Example:

$$T_{CHARGE} = 70 \text{ seconds} \quad T_{TOP-UP} = 15 \text{ seconds} \Rightarrow T_{DOSING} = 70 - 15 = 55 \text{ seconds}$$

Dishwasher machine with 2 solenoid valves

Connect the load cable (E) to the solenoid valve of initial charge.

Connect the top-up cable (F) to the solenoid valve of rinse.

MAINTENANCE

- 1) Periodically check the chemical tank level to avoid the pump operates without liquid.
- 2) Check the suction and delivery hoses in which the presence of some impurity could cause a damage of the pump head hose and a low flow in the same time.
- 3) Check regularly the functioning of the pump especially when it doses aggressive chemicals and the state of the filter whose clogging can decrease the flow.

MATERIALS IN CONTACT WITH THE CHEMICALS

Hose of the pump head	Santoprene® (upon request Silicone® and Tygon)
Suction and Delivery hose	PVC (delivery PE for Silicone® e Tygon versions)
Foot Filter	Polypropylene
Injection nipple	Polypropylene (AISI for Silicone® e Tygon versions)

ACCESSORIES KIT

- SUCTION HOSE 2m
- DELIVERY HOSE 2m
- FOOT FILTER
- INJECTION VALVE

Note on environmental protection



After the implementation of the European Directive 2002/96/EU in the national legal system, the following applies: Electrical and electronic devices may not be disposed of with domestic waste. Consumers are obliged by law to return electrical and electronic devices at the end of their service lives to the public collecting points set up for this purpose. Details to this are defined by the national law of the respective country. This symbol on the product, the instruction manual or the package indicates that the product is subject to these regulations. By recycling, reusing the material or other forms of utilising old devices, you are making an important contribution to protecting our environment.

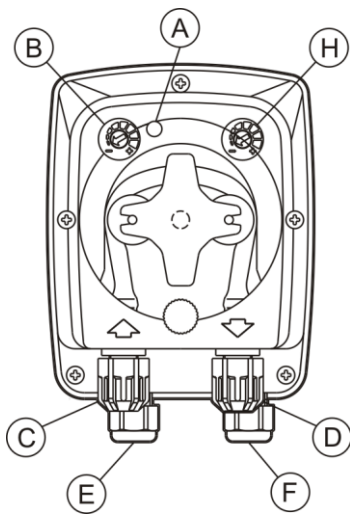


FIG. 1

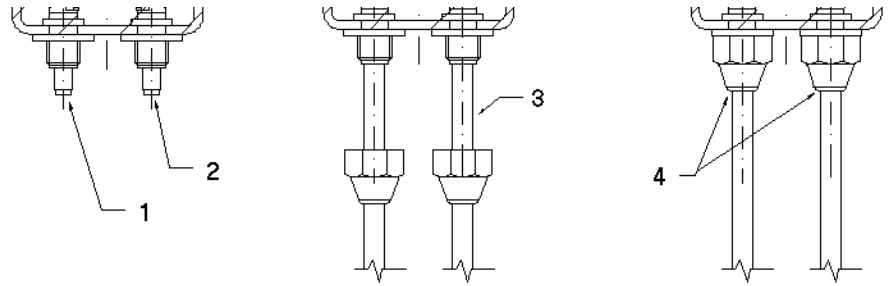


FIG. 2

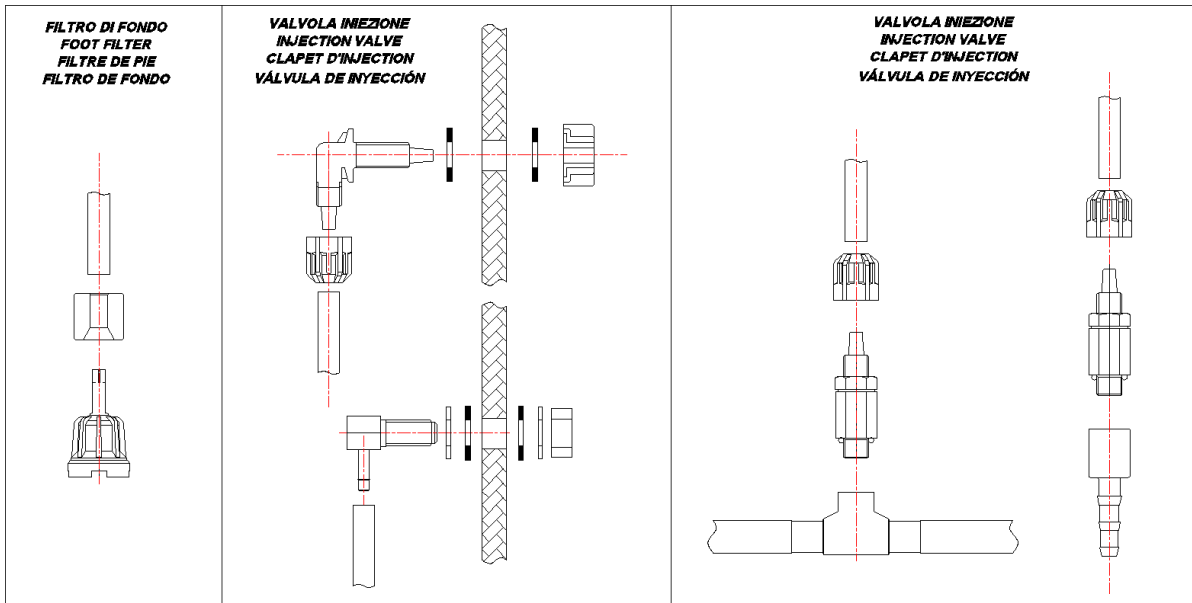


FIG. 3

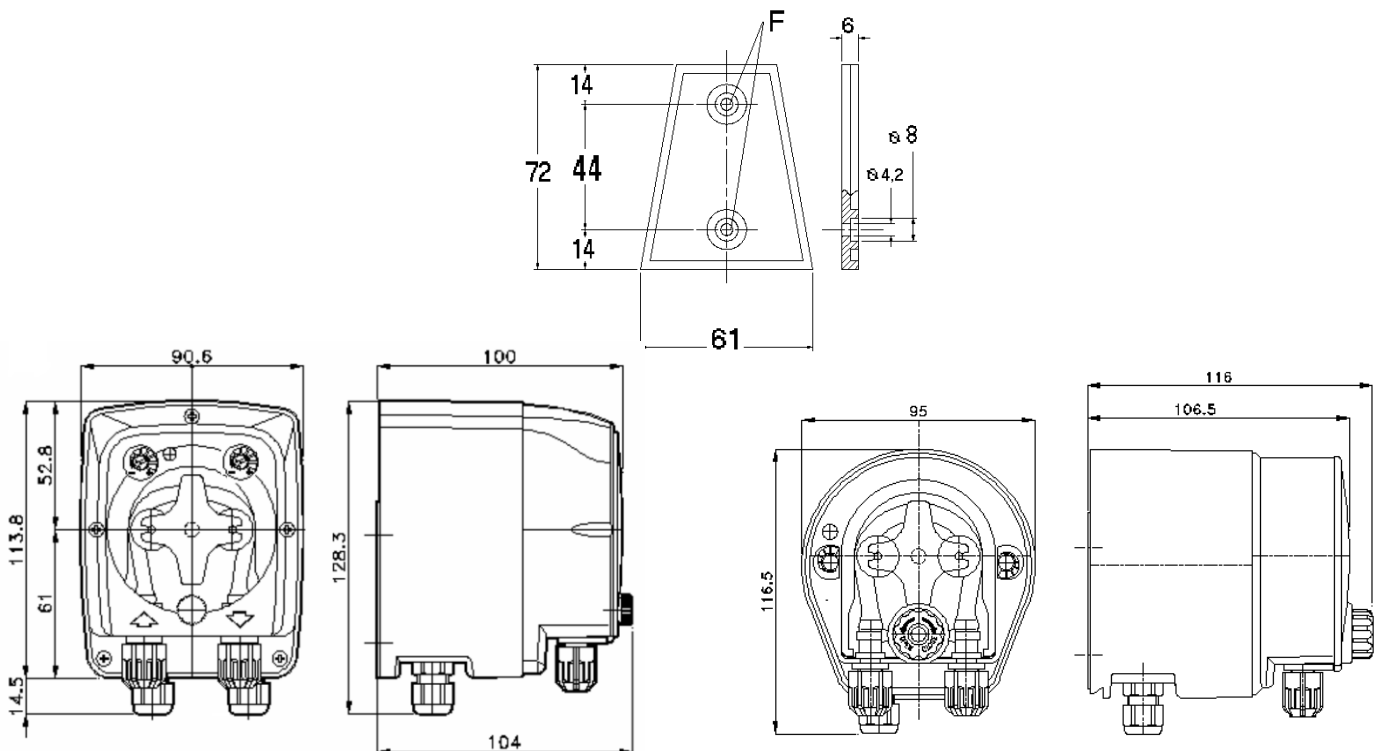


FIG. 4

Dimensioni – Dimensions – Dimensiones



TEC 1T

