



ADLASN OPERATING INSTRUCTIONS





FLUORIDATION - DYEING - DETERGENT & HYGIENE - POOL EQUIPMENT



DECLARATION OF CONFORMITY

Company:	AQUA S.p.A.
Address:	Via T. Crotti, 1 - 42018 - San Martino in Rio (RE)

Hereby declares that the products named:

• **ADLASM**

Responds to the principal features of the following European Directives:

- **2014/30/CE of 26/02/2014 - Harmonization of the laws of the Member States relating to electromagnetic compatibility - EMC Directive**
- **2014/35/CE of 26/02/2014 - Harmonization of the laws of the Member States relating to the making available on the market of electrical equipment designed for use within certain voltage limits - Low Voltage Directive**
- **2011/65/UE of 08/06/2011 with subsequent update 2015/863 of 31/03/2015 - ROHS III Directives**
- **2012/19/UE of 04/07/2012 - WEEE Directives for electrical and electronic waste**

This declaration is issued under the responsibility of Aqua S.p.A.

San Martino in Rio (RE) - 08 settembre 2020

Daide Vezzani
Certification Manager - Aqua S.p.A.

AQUA S.p.A.
Sede e stabilimento di lavoro e sede di direzione di Fidenza Costruzioni S.p.A. - Cap. Soc. € 10.000.000,00 - Sede e stabilimento di lavoro
S. Martino in Rio - 42018 - Reggio Emilia - ITALIA - Sede legale: Via Crotti, 1 - Sede operativa: Via Biondi, 2 - Cap. Soc. € 1.000.000,00 - P. IVA 02225490290 - P. Impres. di F. 02025940290
Tel. +39.0522.596926 - Fax +39.0522.646160 - www.aqua.it - email: aqua@aquait.it



General Comments

The aim of the manual is to provide you with all the necessary information for a proper installation and maintenance in order to give you optimum results whilst in operation.

For this reason it is really important reading with attention the instructions given below since they furnish all the indications necessary for the sureness of the installation, use and maintenance.

- ◆ This manual has to be preserved with care to be consulted in whatever occasion.
- ◆ Before the installation of the pump check that all the data on the pump's label correspond to those of the electrical plant.
- ◆ Do not leave the equipment exposed to the action of the atmospheric agents.
- ◆ The equipment has to be operated from skilled person.
- ◆ In case of improper functioning of the panel switch off and contact our technical assistance for any necessary repairs.
- ◆ The room temperature of utilisation can't over take 45° C

Design standard

In order to obtain an high trustworthiness and a lasting functioning of the product it is necessary to follow with attention our manual particularly in reference with the maintenance.

The Producer declines all responsibility in reference with whatever intervention on the equipment from not skilled personnel.

Technical Characteristics

Material:

PVC – PP – NBR

Max. Temperature:

50°C

Lance(B)	A (ADJUSTABLE)
H400	115 mm →300 mm
H490	115 mm →390 mm
H700	115 mm →600 mm
H940	115 mm →840 mm
H1420	115 mm →1320 mm

Probe level:

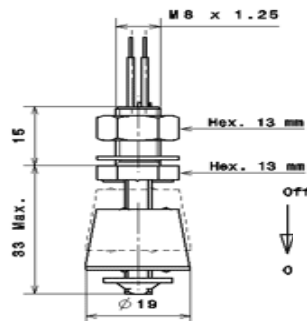
Material: PP

Electrical characteristics

V Max: 250 VAC

Max current: 0,5A

P Max: 10W

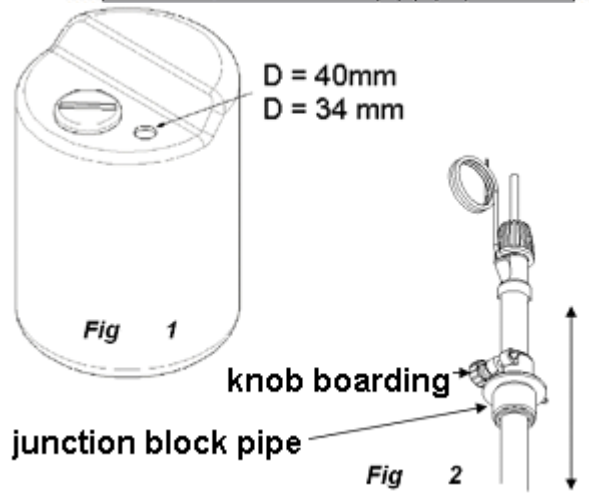
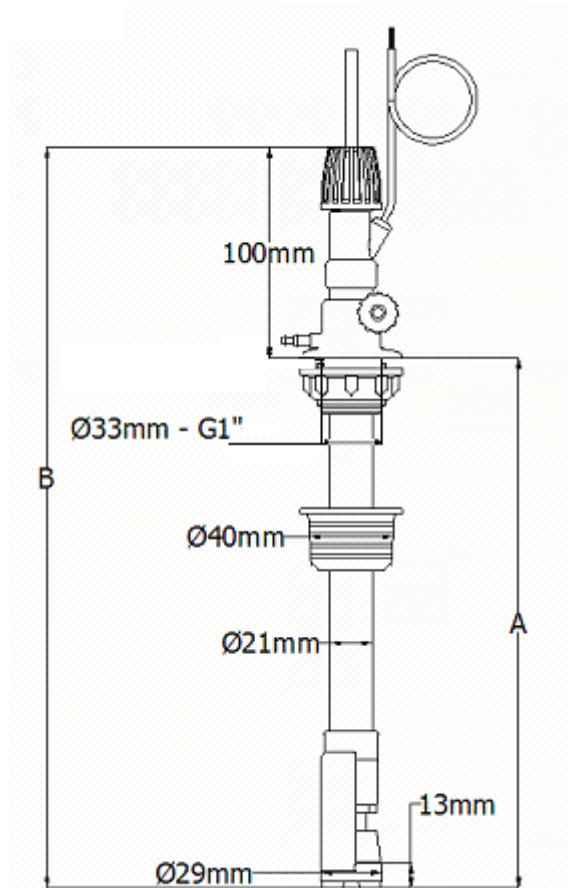


Installation on A-TANK

Using a cup Cutter drill the upper tank (as in Fig. 1).

- Mount rubber sleeve D = 40mm
- Mount ring D = 34 mm

Adjust the position of the junction block pipe according to the height tank and then tighten the knob Boarding (Fig. 2).



In fitting with the sleeve, after entering the lance in the hole, make downward pressure until the lance reaches the bottom of the tank (Fig. 3).

In fitting with ring insert the spear into the hole, hand tighten the ring, from inside the tank until the lance reaches the bottom of the tank (Fig. 4).

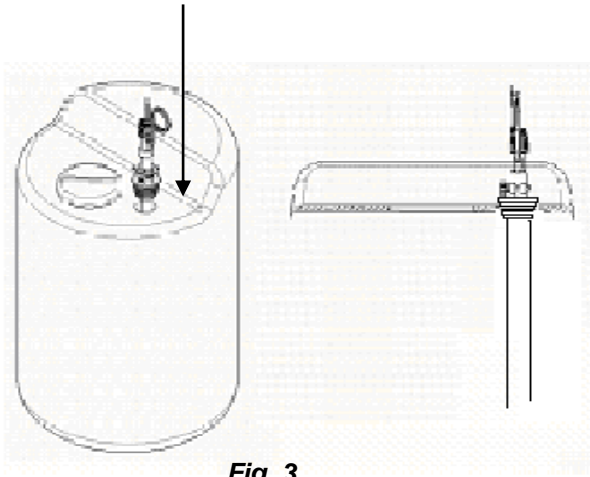


Fig. 3

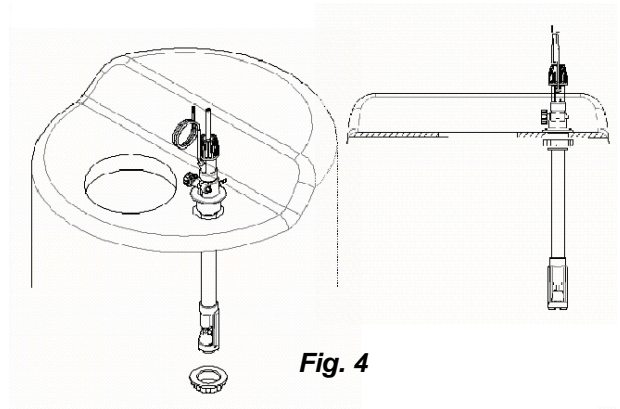
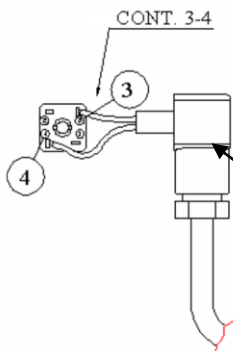


Fig. 4

If the dosing pump is equipped with purge connect the pipe connecting the purge of the junction block pipe.

The product will be well in excess channelled into the reservoir (Fig. 5).



Sondering for extracting connector ADSP6000454

In case you need to connect the lance through a connector, you should solder the cable on input 3 and 4 (see fig.6)

ADSP6000454

Fig. 6

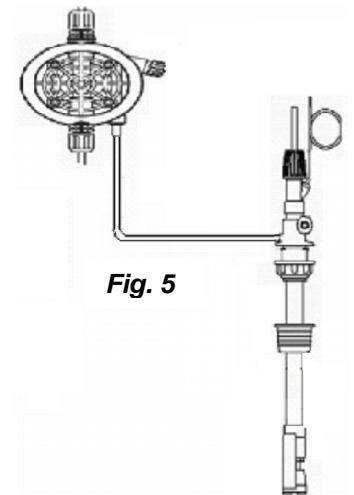


Fig. 5

Maintenance

- Check the upward mobility of float (Fig. 7).
- Check with a multimeter, the short circuit between the cables of the probe when the float is low
- Clean the filter thoroughly with tap water and if necessary with compressed air.

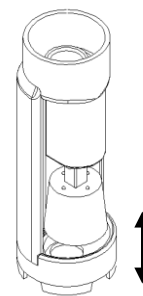
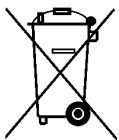


Fig. 7



After the implementation of the European Directive 2002/96/EU in the national legal system, the following applies: Electrical and electronic devices may not be disposed of with domestic waste. Consumers are obliged by law to return electrical and electronic devices at the end of their service lives to the public collecting points set up for this purpose. Details to this are defined by the national law of the respective country. This symbol on the product, the instruction manual or the package indicates that the product is subject to these regulations. By recycling, reusing the material or other forms of utilising old devices, you are making an important contribution to protecting our environment



ADLASM

